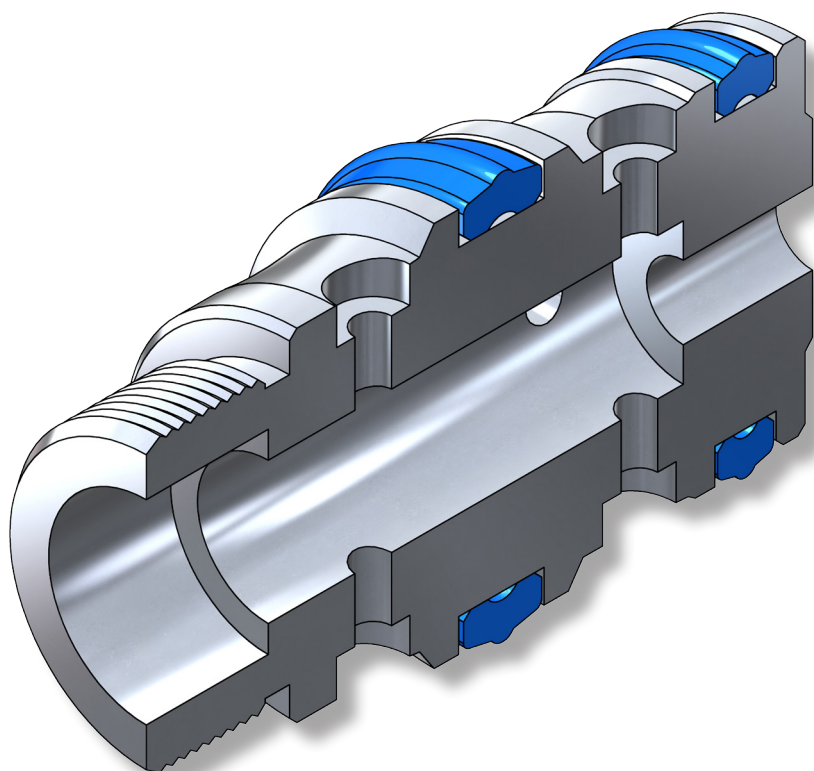
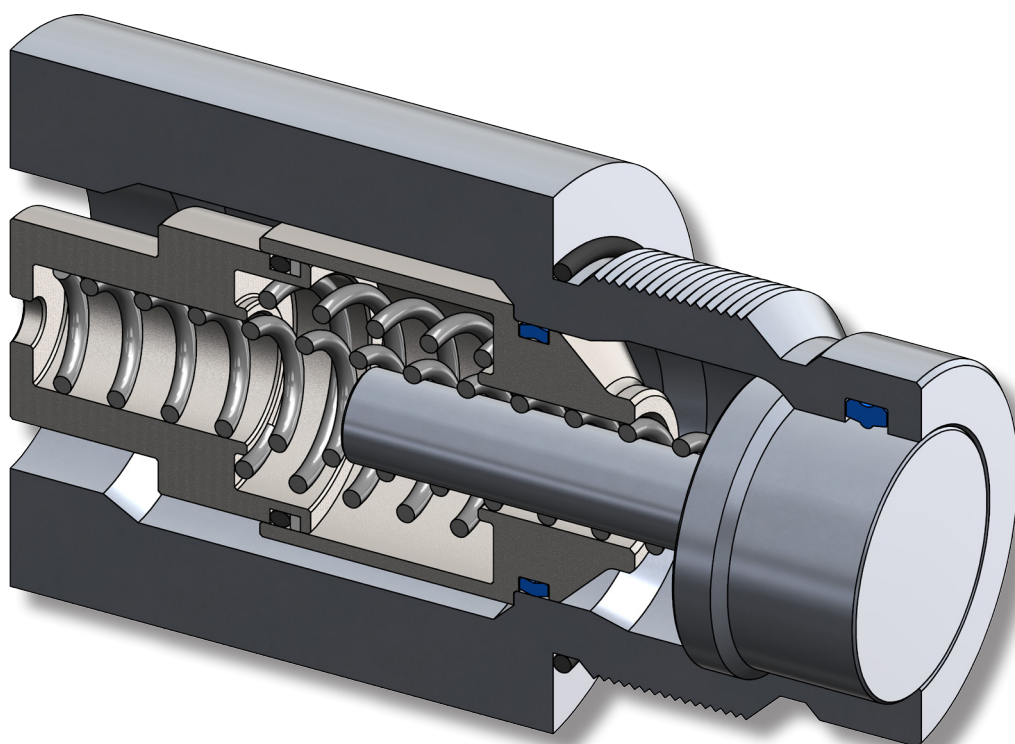


QUICK CONNECTORS AND CARTRIDGE SEALING SOLUTION



Quick connectors and Cartridge sealing solution

Description

Artic Seals operating for many years in the field of quick couplings and cartridge , dedicated to the most different applications and industries: agriculture, construction mechanics , etc. . Excellent results have been achieved in partnership with larger national and international companies , for this type of seal in the world.

This collaboration has led Artic Seals to develop innovative polyurethane seals , which took place on a permanent solution of the most commonly used O -ring with anti-extrusion ring , both in plastic material PTFE .

The seals were submitted to rigid tests with excellent results , and still are periodically subjected to strict controls regarding profile material .

Inside Artic Seals has a control process 100% of the millions of pieces produced every year , with manual and automatic optical instrument.

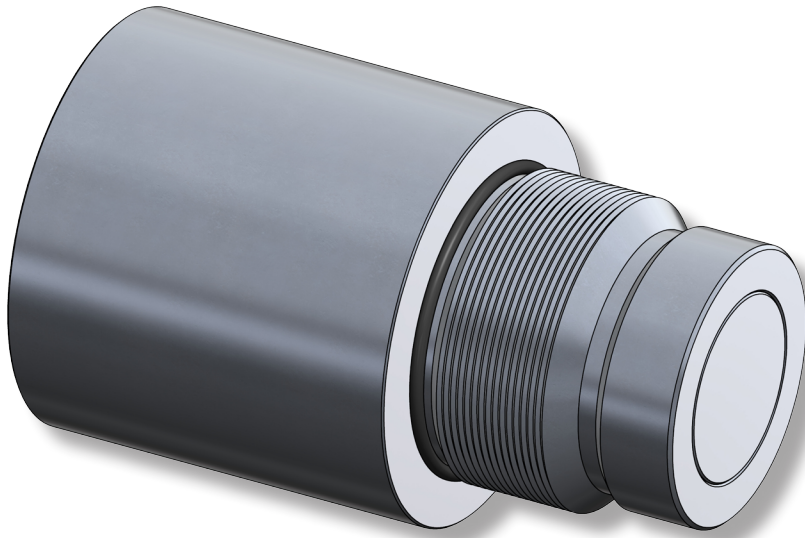
The material used for these seals is innovative polyester -based polyurethane hardness 94 Shore A, with high elastic modulus , with an excellent compression set and low abrasion

Testing data

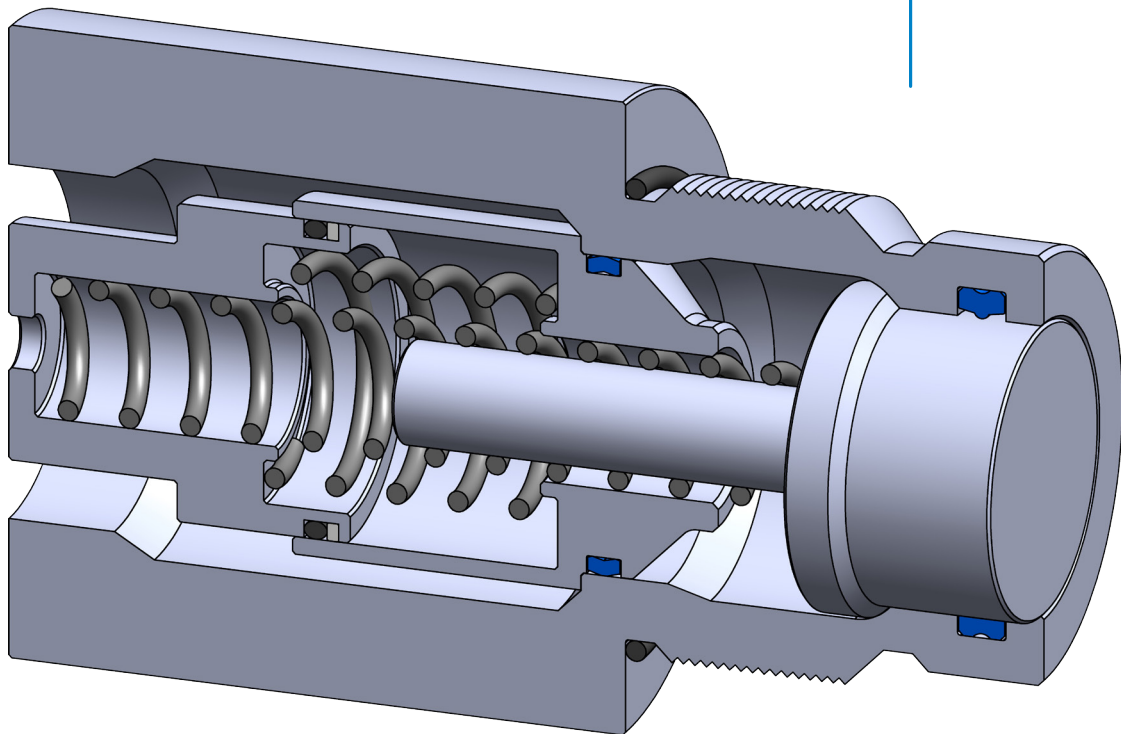
Impulse pressure:	40 [Mpa]
Continuous Oil T° :	80 [°C]
Oil used:	VG32
Target Cycles:	1,000,000

Conclusion

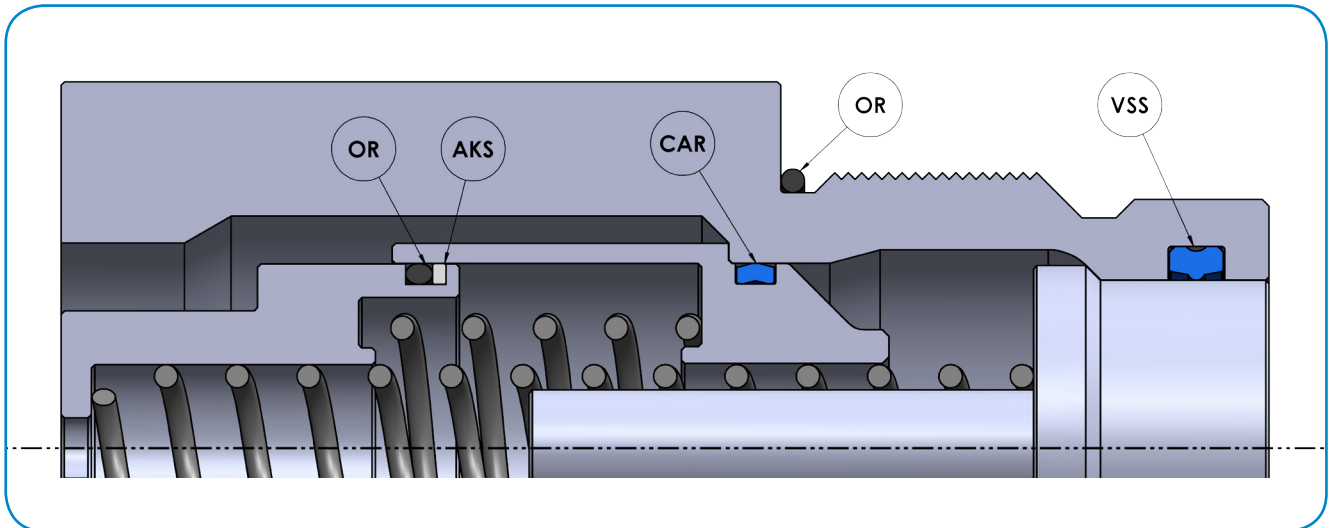
All seals tested up to now, have exceeded the number of cycles placed as the target, without the presence of leakage and of any type of wear, highlighting therefore a considerable improvement with regard to the seal, the friction and wear.






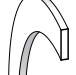
This solution is the study and innovative proposal ARTIC SEALS, with a single sealing material based polyurethane polyester with high elastic modulus, with an excellent compression set and low abrasion, which replaces the more common O-ring and anti-extrusion ring.

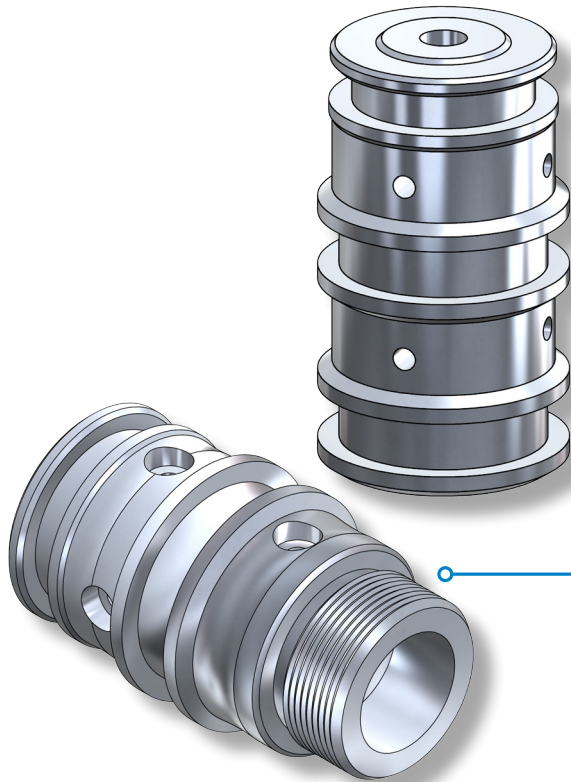


Sealing Solution Proposal

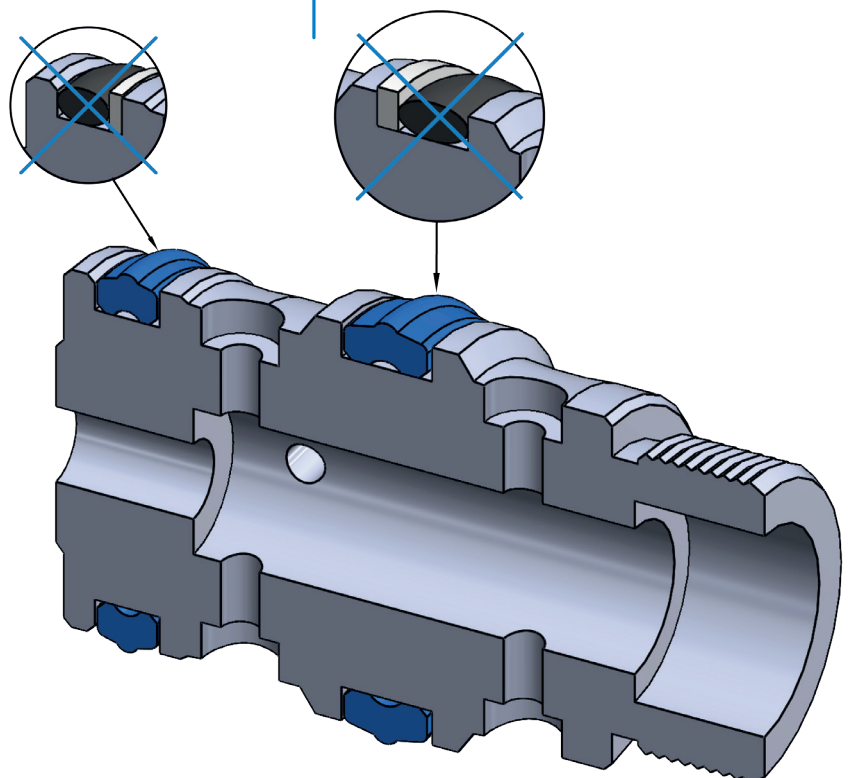


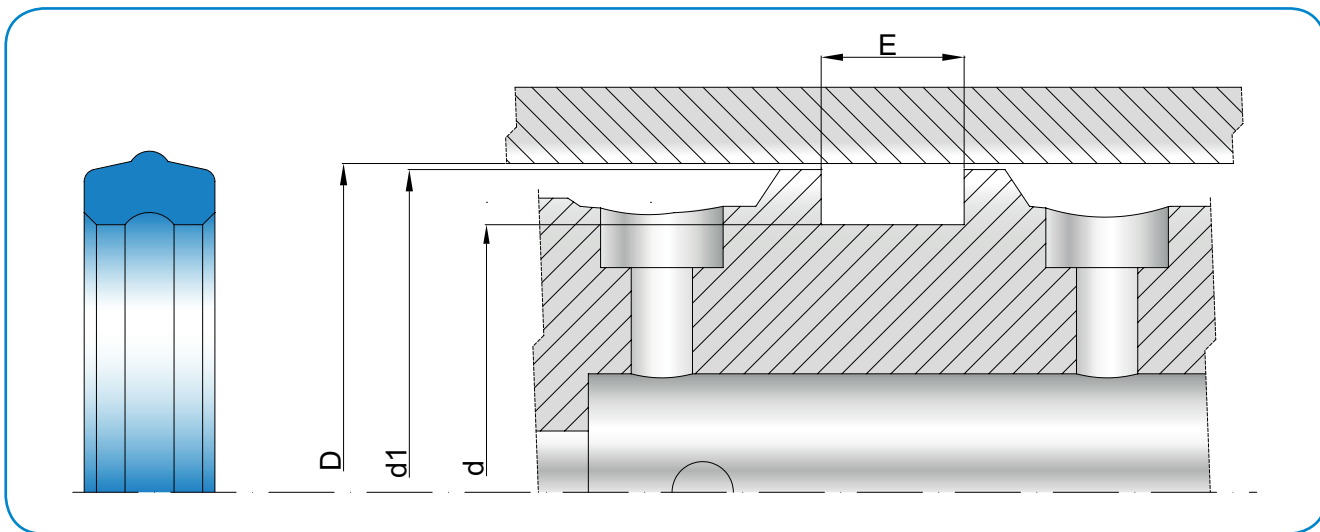
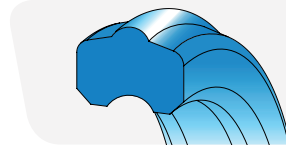
SEALS

PROFILO PROFILE	NS. RIF. OUR REF.	TIPO TYPE	MATERIALE MATERIAL	CODICE MATERIALE MATERIAL CODE
	VSS	Valve Seal	TPU 94 Shore A	Co
	CAR	Valve Seal	TPU 94 Shore A	Co
	OR	O-Ring	NBR	No
	AKS	Antiextrusion Ring	Vingin PTFE	To



This solution is the study and innovative proposal ARTIC SEALS, with a single sealing material based polyurethane polyester with high elastic modulus, with an excellent compression set and low abrasion, which replaces the more common O-ring and anti-extrusion ring.





Standard program

O-Ring Size	D _{H8}		d _{h9}		d _{1h9}		E _{+0,2}		ART / ITEM
	inch	mm	inch	mm	inch	mm	inch	mm	
010	0,374	9,50	0,264	6,71	0,372	9,45	0,138	3,51	VSS 0095 0067 035 C0
011	0,436	11,07	0,326	8,28	0,434	11,02	0,138	3,51	VSS 0110 0083 035 C0
012	0,499	12,67	0,389	9,88	0,497	12,62	0,138	3,51	VSS 0127 0099 035 C0
013	0,561	14,25	0,451	11,46	0,559	14,20	0,138	3,51	VSS 0142 0115 035 C0
014	0,624	15,85	0,514	13,06	0,622	15,80	0,138	3,51	VSS 0158 0131 035 C0
015	0,686	17,42	0,576	14,63	0,684	17,37	0,138	3,51	VSS 0174 0146 035 C0
016	0,749	19,02	0,639	16,23	0,747	18,97	0,138	3,51	VSS 0190 0162 035 C0
017	0,811	20,60	0,701	17,81	0,809	20,55	0,138	3,51	VSS 0206 0178 035 C0
018	0,874	22,20	0,764	19,41	0,872	22,15	0,138	3,51	VSS 0222 0194 035 C0
019	0,936	23,77	0,826	20,98	0,934	23,72	0,138	3,51	VSS 0237 0210 035 C0
020	0,999	25,37	0,889	22,58	0,997	25,32	0,138	3,51	VSS 0254 0226 035 C0

Available Sizes out of standard program

D _{H8}	d _{h9}	d _{h9}	E _{+0,2}	ART / ITEM			
mm	mm	mm	mm				
8,20	5,30	8,15	3,51	VSS 0082	0053	035	C0
13,00	10,10	12,95	3,51	VSS 0130	0101	035	C0
14,00	11,10	13,95	3,51	VSS 0140	0111	035	C0
14,25	11,46	14,20	2,51	VSS 0142	0115	025	C0
15,00	12,10	14,95	3,51	VSS 0150	0121	035	C0
15,85	13,06	15,80	2,51	VSS 0158	0131	025	C0
16,70	13,80	16,65	2,51	VSS 0167	0138	025	C0
17,40	14,60	17,35	2,51	VSS 0174	0146	025	C0
18,30	15,40	18,25	2,51	VSS 0183	0154	025	C0
19,00	16,20	18,95	2,51	VSS 0190	0162	025	C0
19,80	16,90	19,75	2,51	VSS 0198	0169	025	C0
22,00	19,40	21,95	4,51	VSS 0220	0194	045	C0
22,30	17,50	22,25	3,20	VSS 0223	0175	032	C0
23,50	20,60	23,45	3,51	VSS 0235	0206	035	C0
24,00	21,40	23,95	4,51	VSS 0240	0214	045	C0

D _{H8}	d _{h9}	d _{h9}	E _{+0,2}	ART / ITEM			
mm	mm	mm	mm				
27,20	24,40	27,15	3,51	VSS 0272	0244	035	C0
28,50	25,80	28,45	3,51	VSS 0285	0258	035	C0
30,00	27,10	29,95	3,51	VSS 0300	0271	035	C0
32,00	29,20	31,95	3,51	VSS 0320	0292	035	C0
33,40	30,50	33,35	3,51	VSS 0334	0305	035	C0
34,00	31,20	33,95	3,51	VSS 0340	0312	035	C0
36,00	33,20	35,95	3,51	VSS 0360	0332	035	C0
36,50	32,30	36,45	3,51	VSS 0365	0320	035	C0
38,00	35,20	37,95	3,51	VSS 0380	0352	035	C0
50,80	47,80	50,75	3,51	VSS 0508	0478	035	C0

***I prodotti Artic Seals sono distribuiti da:
Artic Seals's products are distributed by:***

GAPI S.p.A.
via Molinaretti, 2
I - 24060 Castelli Calepio (BG) - Italy
ph +39 030 7438 511
fax +39 030 7438 550
sales@gapigroup.com

GAPI Group

**Centri di distribuzione e
uffici commerciali**

Sales and logistic centers

GAPI S.p.A.
via Molinaretti, 2
I - 24060 Castelli Calepio (BG) - Italy
ph +39 030 7438 511
fax +39 030 7438 550
sales@gapigroup.com

MIROS s.r.l.
via Gallarate, 221
I - 20151 Milano - Italy
ph +39 02 33 400 480
fax +39 02 33 400 615
e-mail: miros@gapigroup.com

GAPI USA Inc.
300 Huls Drive, Englewood
Ohio, OH 45315, U.S.A.
ph +1 (937) 836-0080
800 442 8030
fax +1 (937) 836-7499
gapi@gapiusa.com

GAPI Ltd
Centurion Business Park
Bessemer Way - Templeborough
Rotherham - Sheffield - S60 1 FB - UK
ph +44 (01709) 378 181
fax +44 (01709) 378 182
sales@gapi.co.uk

GAPI GmbH
Hans Böckler Str. 14
Postfach 200265 - 51503 Rösrath - D
ph +49 (02205) 90494-0
fax +49 (02205) 90494-33
verkauf@gapi.de

Gapi Sealing System S.L.U.
C/ Telecomunicaciones, 21
Polígono Industrial Urtinsa II
28923 Collado Alcorcón (Madrid) - E
ph +34 918517 187
fax +34 918517 195
gapiss@gapiss.es

**Stabilimenti di produzione
Production plants**

GAPI S.p.A.
Rubber Sealing Solutions
via Marconi, 108
24060 Castelli Calepio (BG) - Italy
ph +39 035 847 084
fax +39 035 848 467
gapisede@gapigroup.com

GAPI S.p.A.
Rubber Sealing Solutions
via Molinaretti, 2
24060 Castelli Calepio (BG) - Italy
ph +39 030 7438 511
fax +39 030 7438 550
gapisede@gapigroup.com

GAPI S.p.A.
Rubber Compounds
via L. Da Vinci, 11
24060 Grumello del Monte (BG) - Italy
ph +39 035 4420 880
fax +39 035 4420 432
gapicompounds@gapigroup.com

GAPI S.p.A.
PTFE Products
via Tolari, 12
24060 Gandosso (BG) - Italy
ph +39 035 834 268
fax +39 035 834 275
lanza@gapigroup.com

GAPI S.p.A.
PTFE Sealing Solutions
via Francesca, 19/D
25030 Coccaglio (BS) - Italy
ph +39 030 7701210
fax +39 030 7705721
mg@gapigroup.com

GAPI S.p.A.
PTFE Sealing Solutions
via Europa, 47
25036 Palazzolo s/o (BS) - Italy
ph +39 030 7300221
fax +39 030 7300366
info@fluoril.it

ROLF S.p.A.
Rotary Shaft Seals
via Campania, 24
20093 Cologno Monzese (MI) - Italy
ph +39 02 27 300 700
fax +39 02 25 47 788
rolf@gapigroup.com

ROLF S.p.A.
Hydraulic Sealing Solutions
via Lab. Olivetti, 38
20010 Pregnana Milanese (MI) - Italy
ph +39 02 9359 0625
fax +39 02 9359 0625
rolf@gapigroup.com

PRADELLA & MATEGO S.p.A.
Rubber Sealing Solutions
Regione Crocetta
14018 Villafranca D'asti (AT) - Italy
ph +39 0141 943 544 - 942 061
fax +39 0141 943 046
pradella@gapigroup.com

ARTIC SEALS s.r.l.
Hydraulic Sealing Solutions
via Vettigano, 11
42010 Rio Saliceto (RE) - Italy
ph +39 0522 649 764
fax +39 0552 649 496
info@articseals.it

GAPI GmbH
Technopolymers Sealing Solutions
Hans Böckler Str. 14
Postfach 200265 - 51503 Rösrath - D
ph +49 (02205) 90494-0
fax +49 (02205) 90494-33
verkauf@gapi.de